



WC - Madison

Tissue holder without cover - Dark Brass matte

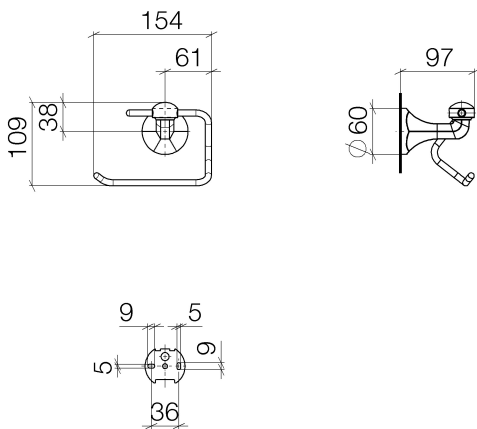
Article number: 83 500 361-16

- Width 5-3/4"
- Height 4-3/4"
- 3-3/4" Projection



Dark Brass matte

### Dimensional drawing



All dimensions in mm / inch = mm x 0,0394



WC - Madison

Tissue holder without cover - Dark Brass matte

Article number: 83 500 361-16

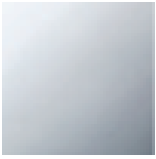


WC - Madison

Tissue holder without cover - Dark Brass matte

Article number: 83 500 361-16

### Other surface finishes



polished chrome  
83 500 361-00



platinum matte  
83 500 361-06



platinum  
83 500 361-08



Durabrass  
83 500 361-09



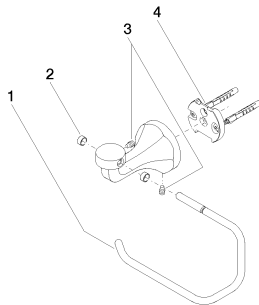
Dark Bronze matte  
83 500 361-17



Dark Platinum matte  
83 500 361-99

More custom finish options are available via special production (xTra Service). Please see our finish matrix for availability and pricing or contact a Dornbracht representative.

### Spare parts list



Number	Item Number	Designation	Number of units
--------	-------------	-------------	-----------------